



WETERINGS[®]
MECHANISATIE

Rupsversnipperaar met buffer
HW-nr.: 0751350



WETERINGS MECHANISATIE | INCOMPARABLE IN HORTICULTURAL TECHNIQUE

OUDE HOOISLAG 4, 2691 NH 'S-GRAVENZANDE, HOLLAND

T: +31 (0)174 41 64 81
VAT NO.: NL004850786B01

F: +31 (0)174 41 40 28

I: WWW.WETERINGS.NL

C.O.C. HAAGLANDEN NO.: 27219130

IBAN NL79 INGB 0659 4117 76, SWIFTCODE: INGBNL2A

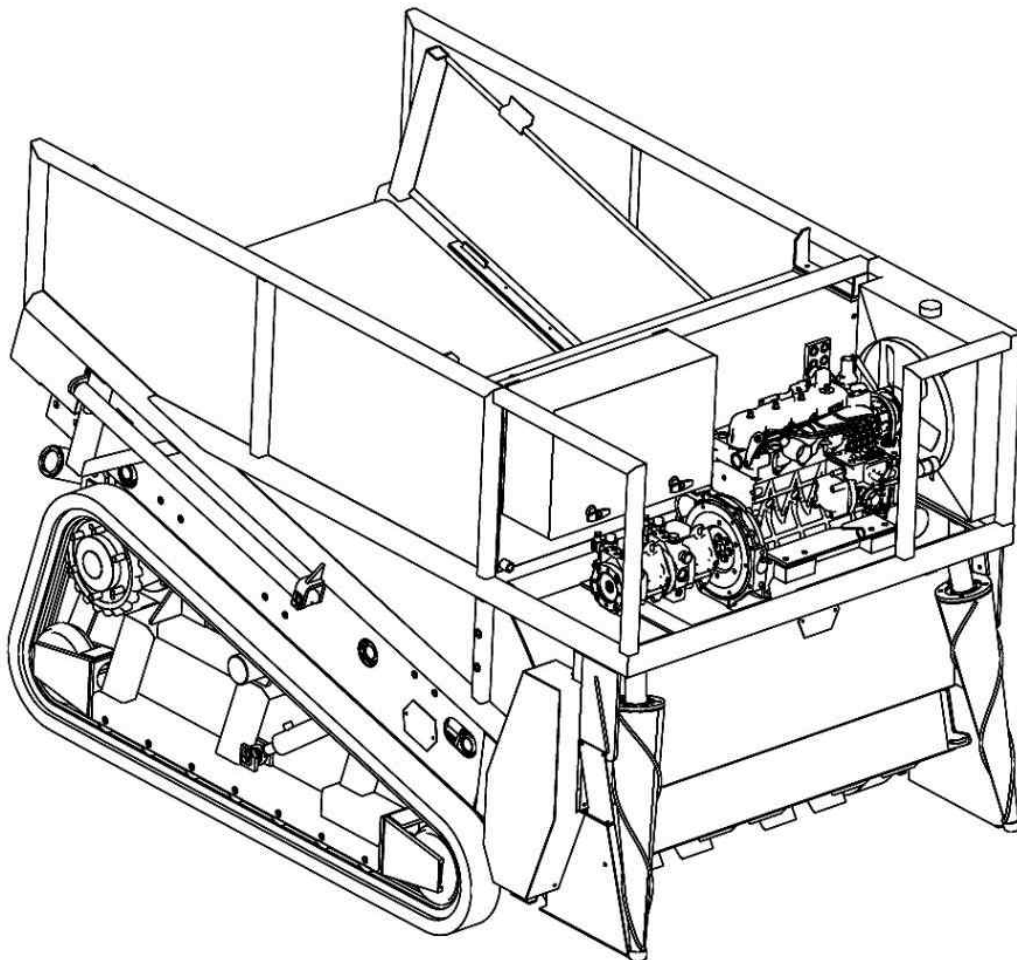
All our quotations, all orders placed with us and all contracts concluded with us are subject to the METAALUNIECONDITIONS, filed with the registrar of the District Court of Rotterdam, as stipulated in the latest text lodged with the said court. The conditions of delivery and payment will be sent to you upon request.

090707-A-FOL



Technische specificaties

- | | | |
|---|---------------|---|
| 1. hoofdafmetingen in transportpositie: | lengte: | 273 cm |
| | breedte: | 161 cm |
| | hoogte: | 170 cm |
| 2. afmetingen rupsonderwagen: | wielbasis: | 160 cm |
| | spoorbreedte: | 150 cm |
| 3. breedte tracks: | | 11 cm |
| 4. bodemvrijheid: | | 35 cm |
| 5. gronddruk rupsen: | | 710 gr/cm ² |
| 6. versnipperhoogte: | | 10-40 cm |
| 7. max. inhoud buffer: | | 2,0 m ³ |
| 8. slag bufferband | | 90 cm |
| 9. max. rijsnelheid: | | 3,0 km/u |
| 10. eigen gewicht: | | 2500 kg |
| 11. dieselmotor: | | Kubota V2203-EU1 (33 kW) |
| 12. documenten: | | Nederlandstalige of Engelstalige gebruiksaanwijzing |
| 13. opties: | | verlichting
gereedschapskoffer
kegels |



Technical specifications

- | | | |
|---|------------|--|
| 1. main dimensions in transport position: | length: | 273 cm |
| | width: | 161 cm |
| | height: | 170 cm |
| 2. dimensions caterpillar undercarriage: | wheelbase: | 160 cm |
| | gauge: | 150 cm |
| 3. width tracks: | | 11 cm |
| 4. ground clearance: | | 35 cm |
| 5. ground pressure tracks: | | 710 gr/cm ² |
| 6. shredding height: | | 10-40 cm |
| 7. max. capacity buffer: | | 2,0 m ³ |
| 8. stroke buffer belt: | | 90 cm |
| 9. max. driving speed: | | 3,0 km/h |
| 10. weight: | | 2500 kg |
| 11. diesel engine: | | Kubota V2203-EU1 (33 kW) |
| 12. documents: | | instructions for use in Dutch or English |
| 13. options: | | lights
tool box
cones |





Rupsversnipperaar met buffer HW-nr.: 0751350

