



WETERINGS[®]
MECHANISATIE

Rupsversnipperaar kort met container
HW-nr.: 0751450



WETERINGS MECHANISATIE | INCOMPARABLE IN HORTICULTURAL TECHNIQUE

OUDE HOOISLAG 4, 2691 NH 'S-GRAVENZANDE, HOLLAND

C.O.C. HAAGLANDEN NO.: 27219130

T: +31 (0)174 41 64 81

VAT NO.: NL004850786B01

F: +31 (0)174 41 40 28

IBAN NL79 INGB 0659 4117 76, SWIFTCODE: INGBNL2A

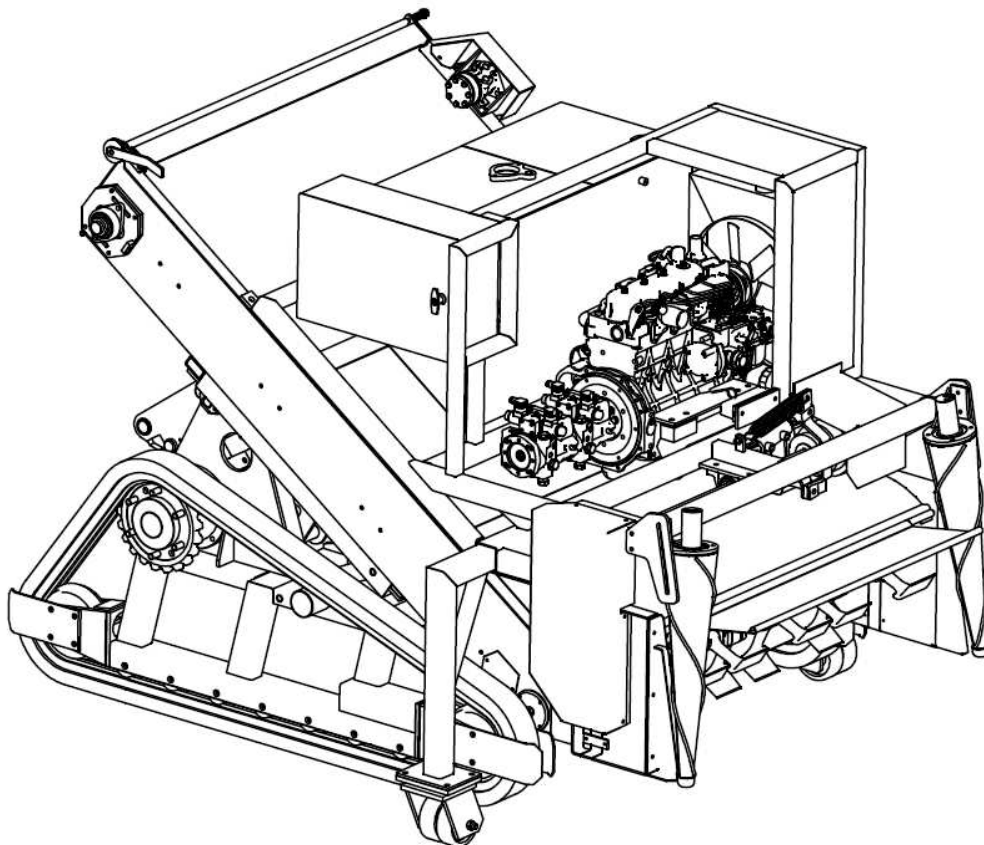
I: WWW.WETERINGS.NL

All our quotations, all orders placed with us and all contracts concluded with us are subject to the METAALUNIECONDITIONS, filed with the registrar of the District Court of Rotterdam, as stipulated in the latest text lodged with the said court. The conditions of delivery and payment will be sent to you upon request.

221209-A-FOL

Technische specificaties

- | | | |
|---|---------------|--|
| 1. hoofdafmetingen in transportpositie: | lengte: | 239 cm (zonder container en kegels)
256 cm (zonder container, met kegels)
352 cm (met container en kegels) |
| | breedte: | 163 cm |
| | hoogte: | 177 cm |
| 2. afmetingen rupsonderwagen: | wielbasis: | 154 cm |
| | spoorbreedte: | 151 cm |
| 3. breedte tracks: | | 10 cm |
| 4. bodemvrijheid: | | 40 cm |
| 5. gronddruk rupsen: | | 845 gr/cm ² (zonder container, met kegels)
1495 gr/cm ² (met volle container en kegels) |
| 6. versnipperhoogte: | | 9-45 cm |
| 7. max. rij snelheid: | | 3,0 km/u |
| 8. max. inhoud/gewicht container: | | 1,8 m ³ / 2000 kg |
| 9. eigen gewicht: | | 2600 kg (zonder container, met kegels) |
| 10. dieselmotor: | | Kubota V2203-EU1 (33 kW) |
| 11. documenten: | | Nederlandstalige of Engelstalige gebruiksaanwijzing |
| 12. opties: | | verlichting
gereedschapskoffer
kegels en stempels met zwenk- en bokwielen
container(s) |



Technical specifications

1. main dimensions in transport position: length: 239 cm (without container and cones)
256 cm (without container, with cones)
352 cm (with container and cones)
width: 163 cm
height: 177 cm
2. dimensions caterpillar undercarriage: wheelbase: 154 cm
gauge: 151 cm
3. width tracks: 10 cm
4. ground clearance: 40 cm
5. ground pressure tracks: 845 gr/cm² (without container, with cones)
1495 gr/cm² (with full container and cones)
6. shredding height: 9-45 cm
7. max. driving speed: 3,0 km/h
8. max. capacity/weight buffer: 1,8 m³ / 2000 kg
9. weight: 2600 kg (without container, with cones)
10. diesel engine: Kubota V2203-EU1 (33 kW)
11. documents: instructions for use in Dutch or English
12. options: lights
tool box
cones and stamps with swivelling and fixed wheels
container(s)





Rupsversnipperaar kort met container HW-nr.: 0751450

